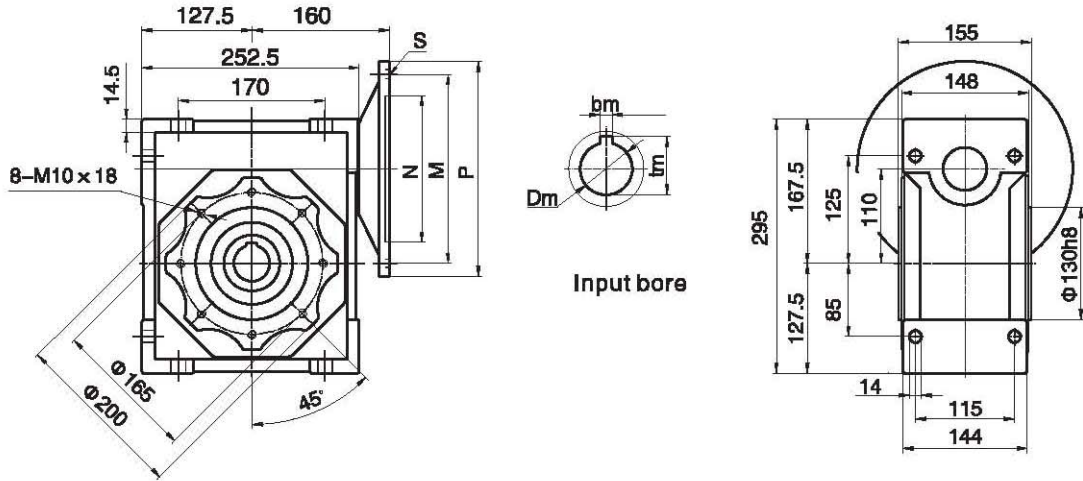


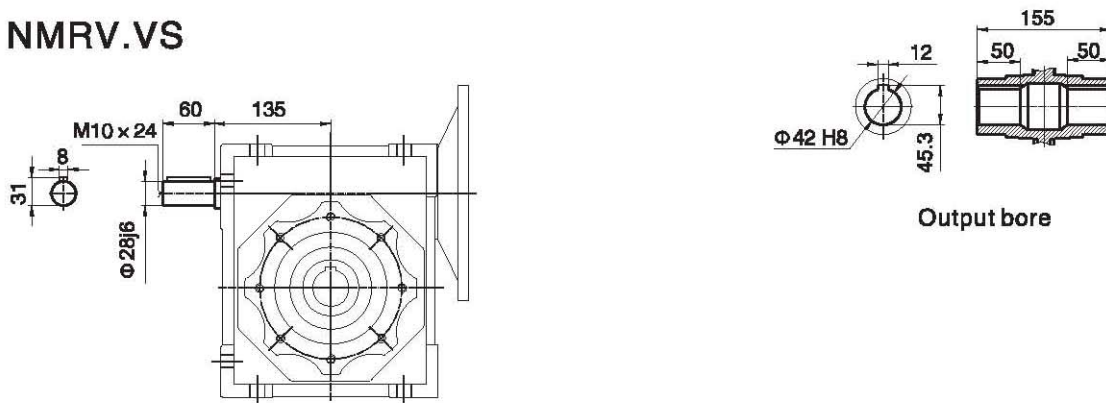
Dimensions

NMRV

110



NMRV.VS



PAM-IEC	N (H8)	M	P	bm	tm	S	Dm(H7)												
							5	7.5	10	15	20	25	30	40	50	60	80	100	Depth
132B5	$\phi 230$	$\phi 265$	$\phi 300$	10	41.3	$\phi 15$	-	38*	38*	38*	38*	-	-	-	-	-	-	-	80
100/112B5	$\phi 180$	$\phi 215$	$\phi 250$	8	31.3	$\phi 15$	-	28	28	28	28	28	28	28	28	28	-	-	60
90B5	$\phi 130$	$\phi 165$	$\phi 200$	8	27.3	$\phi 11$	-	-	-	-	-	24	24	24	24	24	24	24	50
80B5	$\phi 130$	$\phi 165$	$\phi 200$	8	21.8	$\phi 11$	-	-	-	-	-	-	-	-	-	-	19	19	40

Weight:40kg

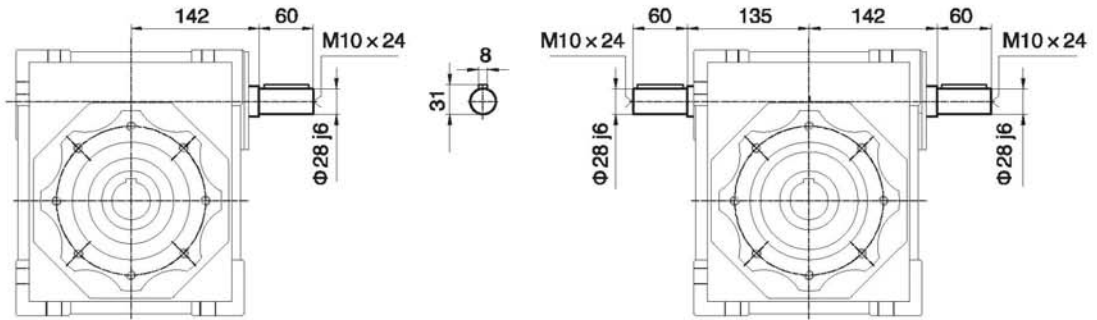
Note:(*)Low profile key supplied by haitec.

Dimensions

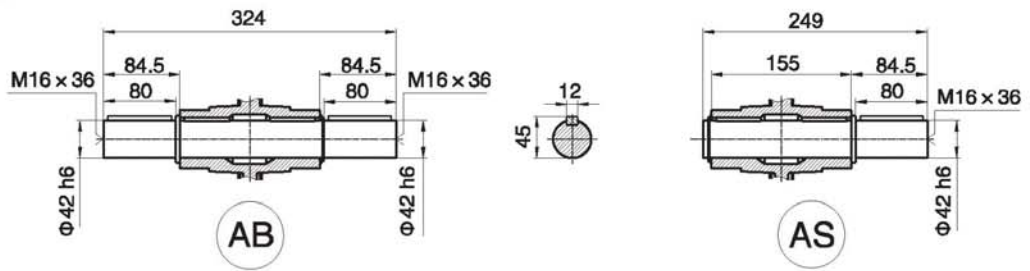
NRV

110

NRV.VS



Output shaft



Output flange

