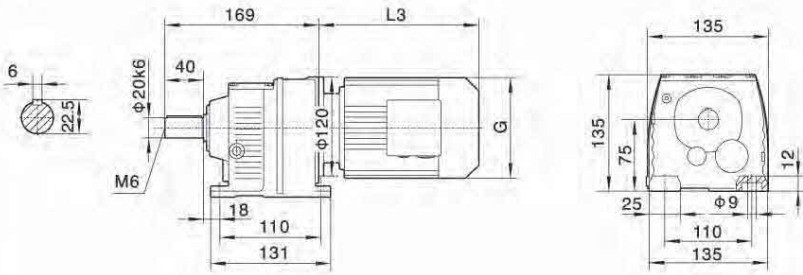
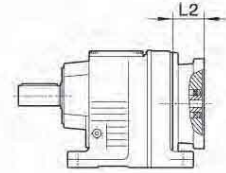


R17

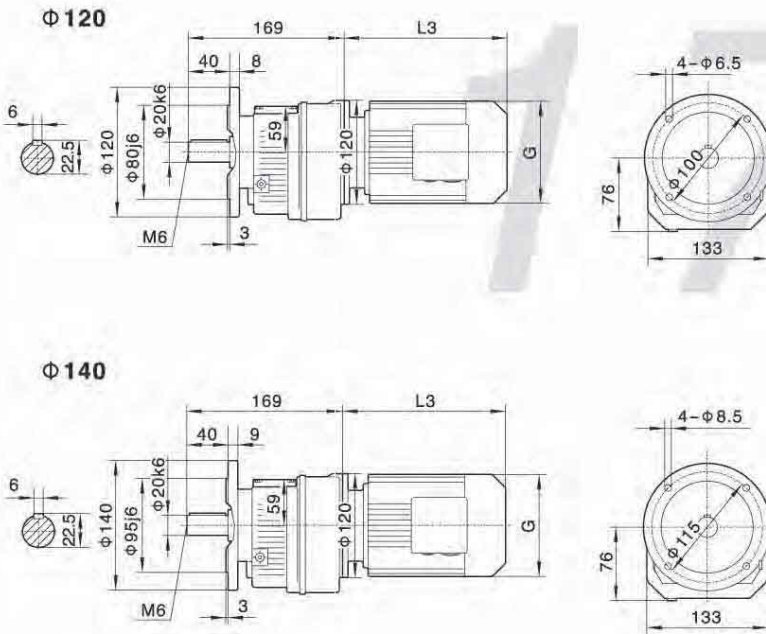


电机需方配时或配特殊电机时需加联接法兰
When equipping the user's motor or the special one, the flange is required to be connected.



注：其余尺寸见相应的结构形式
Note: For other values please refer to the opposite structure

RF17



Y2电机机座号 Motor size	63	71		80								
功率/4P Power/(kW)	0.18	0.25	0.37	0.55	0.75							
L3	235	245		278								
G	130	145		175								
L2	71	71		71								

注：“R..”表示R、RF
Note：“R..”mean R、RF

R