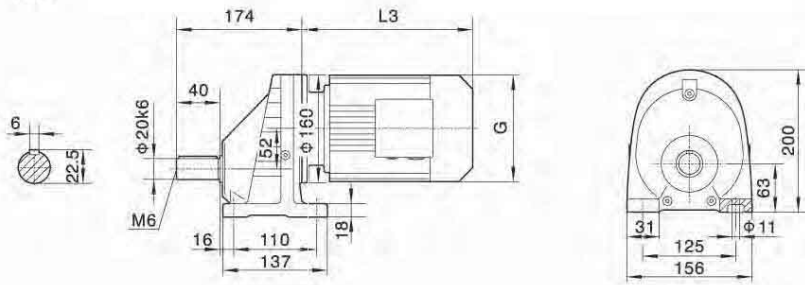
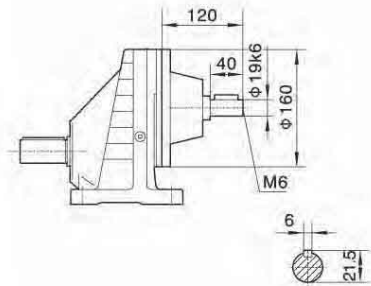


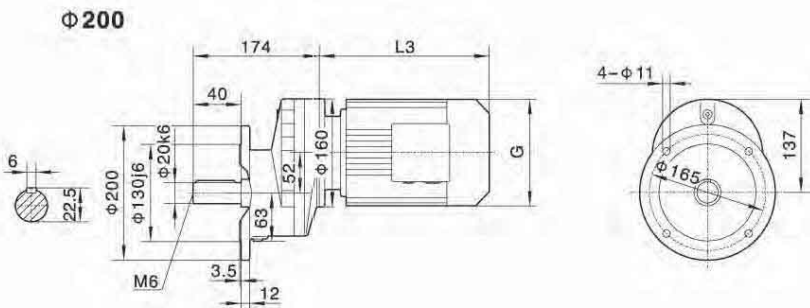
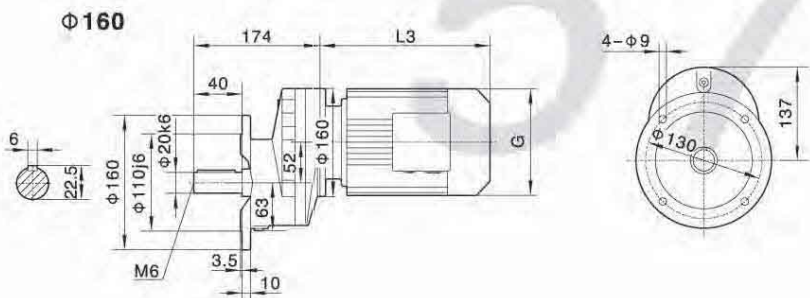
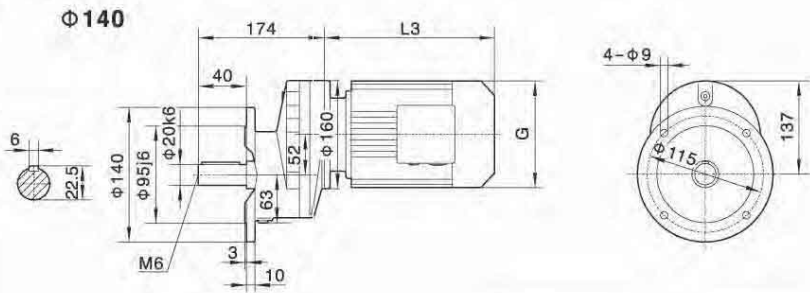
RX57



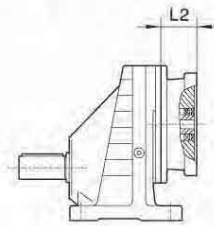
RX..S57



RXF57



电机需方配时或配特殊电机时需加联接法兰
When equipping the user's motor or the special one, the flange is required to be connected.



注：其余尺寸见相应的结构形式
Note: For other values please refer to the opposite structure

Y2电机机座号 Motor size	63	71	80	90S	90L	100	112M	132S
功率/4P Power/(kW)	0.18	0.25 0.37	0.55 0.75	1.1	1.5	2.2 3.0	4.0	5.5
L3	223	245	278	304	328	350	380	425
G	130	145	175	195	195	215	240	275
L2	81	81	81	81	81	93	93	101

注：“RX..”表示RX、RXF

Note: "RX.." mean RX, RXF