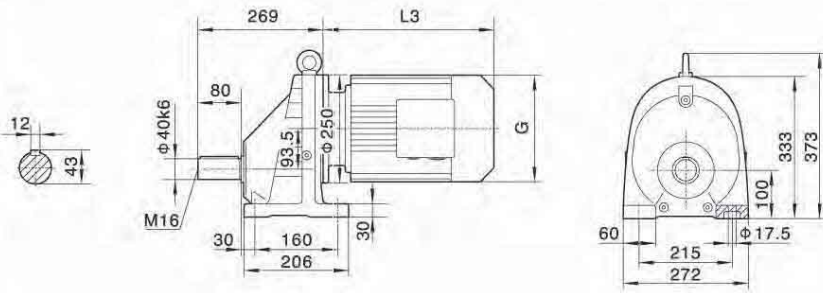
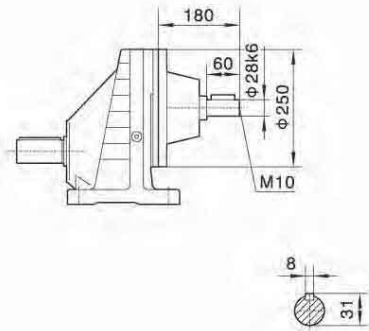


RX87

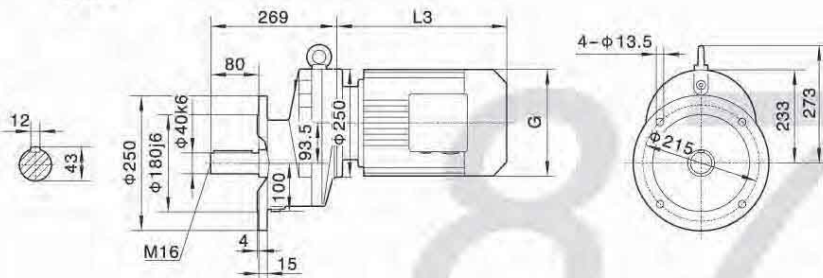


RX..S87



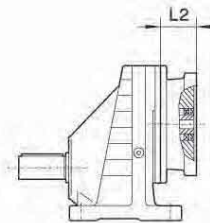
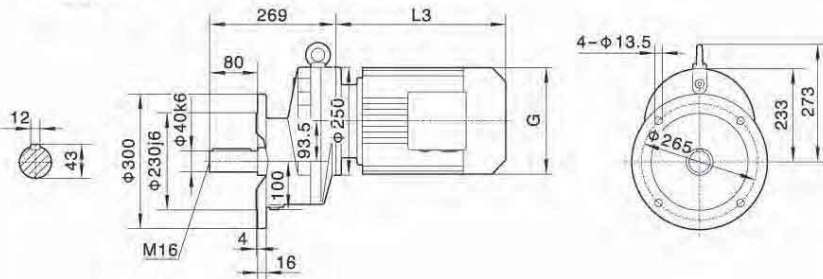
RXF87

Φ250



电机需方配时或配特殊电机时需加联接法兰
When equipping the user's motor or the special one, the flange is required to connected.

Φ300



注：其余尺寸见相应的结构形式
Note: For other values please refer to the oppsited structure

Y ₂ 电机机座号 Motor size	100	112M	132S	132M	160M	160L	180M	180L	
功率/4P Power/(kW)	3.0	4.0	5.5	7.5	11	15	18.5	22	
L3	351	380	425	461	524	547	583	616	
G	215	240	275	275	330	330	380	380	
L2	71	71	101	101	126	126	126	126	

注：“RX..”表示RX、RXF
Note：“RX..”mean RX、RXF

R